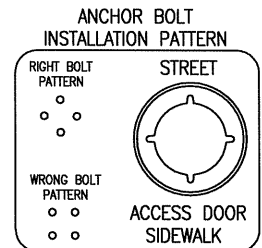
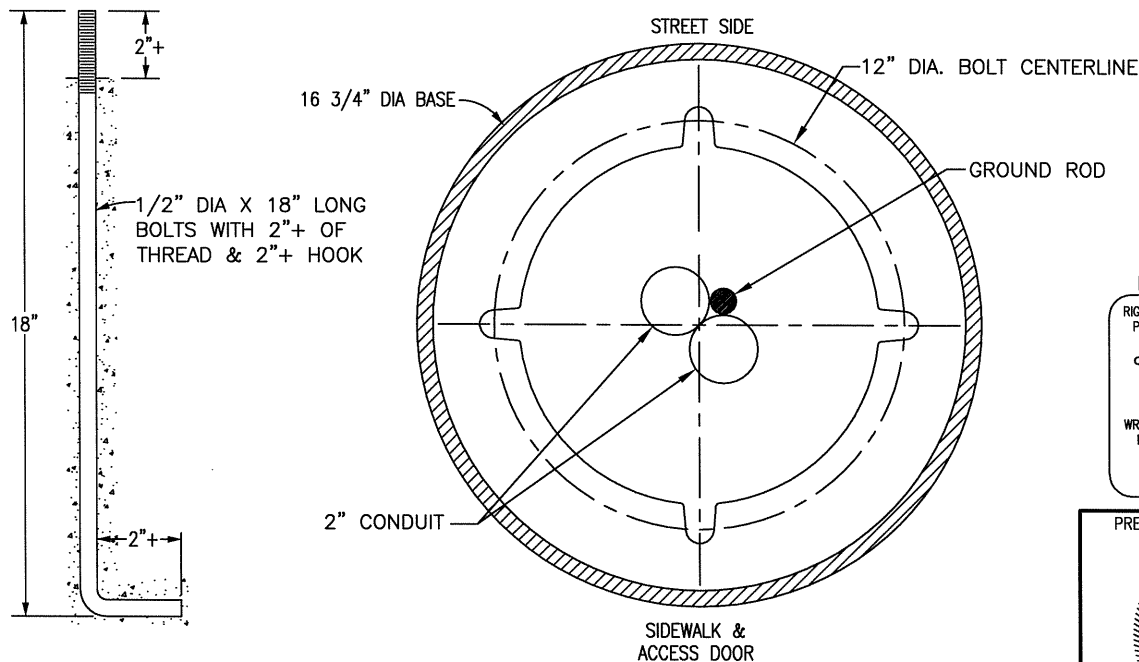


## 20" LIGHT POLE FOUNDATION FOR MAXIMUM 14 FT. POLE HEIGHT



**NOTE:**  
IT IS BEST TO CONSULT  
THE FACTORY FOR A FULL  
SIZE TEMPLATE AND FOR  
EXACT SPECIFICATIONS ON  
THE JOB.

**STERNBERG  
LIGHT POLE BASE**

PREPARED BY: DLZ INDIANA, LLC



*Wayne A. Truey*  
1-15-08

APPROVED/REVISED BY THE BOARD OF PUBLIC WORKS & SAFETY  
EFFECTIVE DATE: APRIL 2007



CITY OF MISHAWAKA, INDIANA

ENGINEERING STANDARDS

STREET LIGHTING  
FOUNDATION DETAILS

SHT. NO.

X-1

ITEM	REVISION	APPROVED DATE